

Cabinet U-Handles

Steel / Stainless Steel / Aluminum

SPECIFICATION

Version in Steel

Handle

Steel

- Powder coated
Black, RAL 9005, textured finish **SW**
- Chrome plated **CR**
- Blackened **BT**

Location disks

Zinc die casting, nickel plated

Version in Stainless steel

Stainless steel NI

- AISI 303 for $d_1 = 8, 10$
- AISI 304 for $d_1 = 12$
- Matte shot-blasted finish **GS**
- Electropolished **EP**
- Location disks for $d_1 = 8, 10$
Stainless steel AISI 303

Stainless steel AISI 316L A4

- Matte shot-blasted finish **GS**
- Location disks
Stainless steel AISI 316L

Version in Aluminum

Aluminum AL

- Powder coated
 - Black, RAL 9005, textured finish **SW**
 - Silver, RAL 9006, textured finish **SR**
 - Red, RAL 3000, textured finish **RS**
- Anodized, natural color **EL**
- Location disks for $d_1 = 8, 10$
Zinc die casting, nickel plated



INFORMATION

Cabinet U-handles GN 425.1 are manufactured from a bent stainless steel, steel or aluminum profile. Cabinet U-handles with $\varnothing d_1 = 8$ and 10 are delivered with two location disks to ensure proper contact of the handle even in the case of large connecting holes. The disks are loosely enclosed.

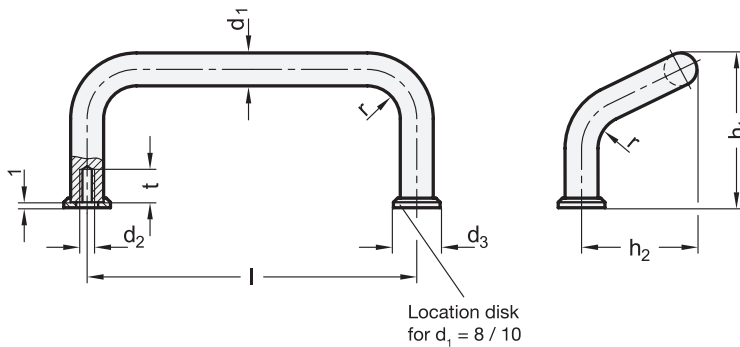
The stainless steel version is preferred over the chrome-plated version for outdoor applications.

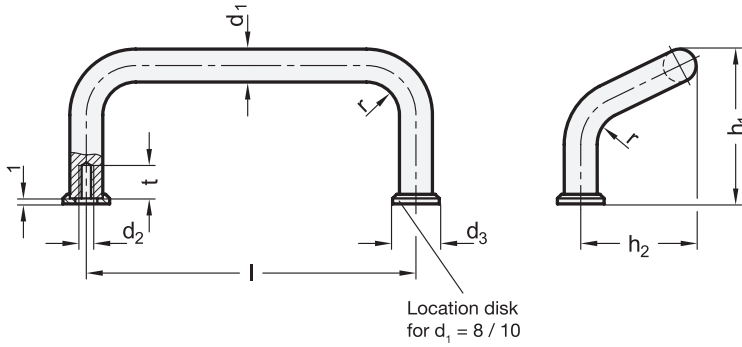
ACCESSORY

- GN 181 Fastening Sets (Mounting from the Operator's Side) (see page 488)

TECHNICAL INFORMATION

- Load Rating Information (see page A35)
- Stainless Steel Characteristics (see page A26)





* Complete with



GN 425.1-ST

Description	d_1	Length l	d_2	d_3	h_1	h_2	r	t min.	⚖
GN 425.1-8-55-*	8	55**	M 4	12	40	30	9	8	57
GN 425.1-8-64-*	8	64	M 4	12	40	30	9	8	63
GN 425.1-8-88-*	8	88**	M 4	12	40	30	9	8	70
GN 425.1-8-96-*	8	96	M 4	12	40	30	9	8	75
GN 425.1-8-100-*	8	100	M 4	12	40	30	9	8	76
GN 425.1-10-88-*	10	88**	M 5	15	47	35	11	12	113
GN 425.1-10-100-*	10	100	M 5	15	47	35	11	12	121
GN 425.1-10-120-*	10	120**	M 5	15	47	35	11	12	134
GN 425.1-10-180-*	10	180**	M 5	15	47	35	11	12	176
GN 425.1-10-200-*	10	200	M 5	15	47	35	11	12	189
GN 425.1-12-125-*	12	125	M 6	-	60	44	12	12	221
GN 425.1-12-160-*	12	160	M 6	-	60	44	12	12	251
GN 425.1-12-200-*	12	200	M 6	-	60	44	12	12	285
GN 425.1-12-250-*	12	250	M 6	-	60	44	12	12	336

Weight SW

** suitable for 19" rack and enclosure layout

* Complete with



GN 425.1-NI

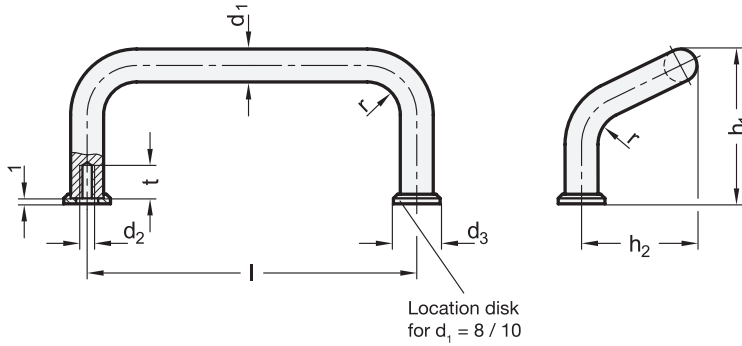
STAINLESS STEEL

Description	d_1	Length l	d_2	d_3	h_1	h_2	r	t min.	⚖
GN 425.1-NI-8-55-*	8	55**	M 4	12	40	30	9	8	57
GN 425.1-NI-8-64-*	8	64	M 4	12	40	30	9	8	63
GN 425.1-NI-8-88-*	8	88**	M 4	12	40	30	9	8	70
GN 425.1-NI-8-96-*	8	96	M 4	12	40	30	9	8	75
GN 425.1-NI-8-100-*	8	100	M 4	12	40	30	9	8	76
GN 425.1-NI-10-88-*	10	88**	M 5	15	47	35	11	12	113
GN 425.1-NI-10-100-*	10	100	M 5	15	47	35	11	12	121
GN 425.1-NI-10-120-*	10	120**	M 5	15	47	35	11	12	134
GN 425.1-NI-10-180-*	10	180**	M 5	15	47	35	11	12	176
GN 425.1-NI-10-200-*	10	200	M 5	15	47	35	11	12	189
GN 425.1-NI-12-125-*	12	125	M 6	-	60	44	12	12	221
GN 425.1-NI-12-160-*	12	160	M 6	-	60	44	12	12	251
GN 425.1-NI-12-200-*	12	200	M 6	-	60	44	12	12	285
GN 425.1-NI-12-250-*	12	250	M 6	-	60	44	12	12	336

Weight GS

** suitable for 19" rack and enclosure layout





GN 425.1-A4

STAINLESS STEEL

Description	d_1	Length l	d_2	d_3	h_1	h_2	r	t min.	⚖
GN 425.1-A4-10-88-GS	10	88**	M 5	15	47	35	11	12	113
GN 425.1-A4-10-100-GS	10	100	M 5	15	47	35	11	12	121
GN 425.1-A4-10-120-GS	10	120**	M 5	15	47	35	11	12	134
GN 425.1-A4-10-180-GS	10	180**	M 5	15	47	35	11	12	176
GN 425.1-A4-10-200-GS	10	200	M 5	15	47	35	11	12	189

* Complete with



GN 425.1-AL

Description	d_1	Length l	d_2	d_3	h_1	h_2	r	t min.	⚖
GN 425.1-AL-8-55-*	8	55**	M 4	12	40	30	9	8	23
GN 425.1-AL-8-64-*	8	64	M 4	12	40	30	9	8	27
GN 425.1-AL-8-88-*	8	88**	M 4	12	40	30	9	8	28
GN 425.1-AL-8-96-*	8	96	M 4	12	40	30	9	8	29
GN 425.1-AL-8-100-*	8	100	M 4	12	40	30	9	8	29
GN 425.1-AL-10-88-*	10	88**	M 5	15	47	35	11	12	44
GN 425.1-AL-10-100-*	10	100	M 5	15	47	35	11	12	45
GN 425.1-AL-10-120-*	10	120**	M 5	15	47	35	11	12	51
GN 425.1-AL-10-180-*	10	180**	M 5	15	47	35	11	12	65
GN 425.1-AL-10-200-*	10	200	M 5	15	47	35	11	12	69
GN 425.1-AL-12-125-*	12	125	M 6	-	60	44	12	12	72
GN 425.1-AL-12-160-*	12	160	M 6	-	60	44	12	12	83
GN 425.1-AL-12-200-*	12	200	M 6	-	60	44	12	12	94
GN 425.1-AL-12-250-*	12	250	M 6	-	60	44	12	12	117

Weight SW

** suitable for 19" rack and enclosure layout